

# 4MP Fixed Dual light Turret Network Camera IPC3614LB-AF28-DL-E



## Features

- High quality image with 4 MP, 1/3.0" CMOS sensor
- 4 MP (2560 × 1440)@25/20 fps; 3 MP (2304 × 1296)@30/25 fps; 1080P (1920 × 1080)@30/25 fps
- Smart dual-light ensures high quality image
- Ultra 265, H.265, H.264
- 2D/3D DNR (digital noise reduction)
- ROI (region of interest) ensures image quality in areas of interest with low bandwidth
- 3-axis
- Built-in mic
- Wide temperature range: -30 °C to 60 °C (-22 °F to 140 °F)
- Supports PoE power supply
- IP67

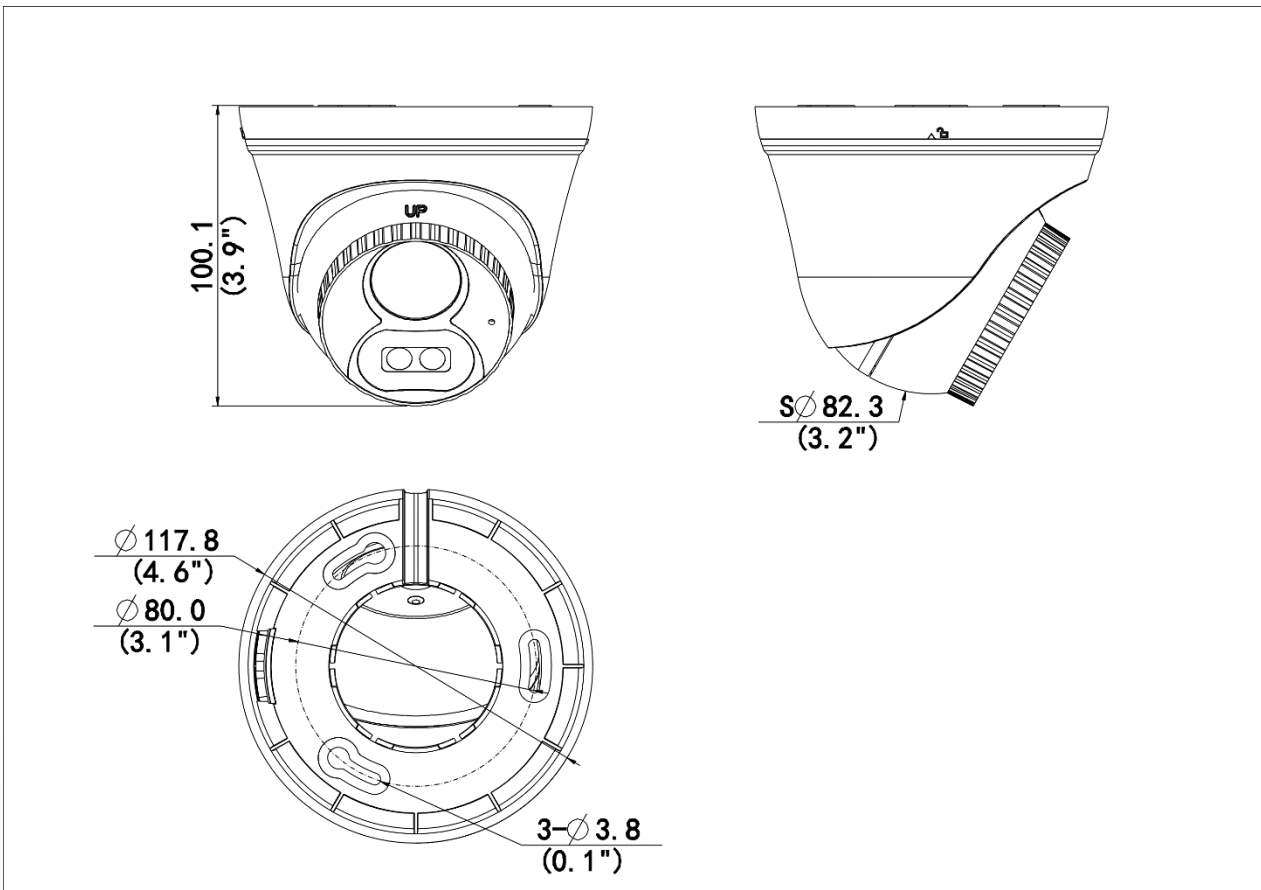
## Specifications

| Model                              | IPC3614LB-AF28-DL-E  |
|------------------------------------|--|
| <b>Camera</b>                      |  |
| Max Resolution                     | 4 MP   |
| Sensor                             | 1/3.0" CMOS  |
| Min. Illumination                  | Color: 0.003 Lux (F1.6, AGC ON), 0 Lux with light  |
| Day/Night                          | IR-cut filter with auto switch (ICR)   |
| Shutter                            | Auto/Manual, 1 to 1/100000 s   |
| Adjustment Angle                   | Pan: 0° to 360°, Tilt: 0° to 80°, Rotate: 0° to 360°   |
| S/N                                | > 52 dB  |
| WDR                                | DWDR   |
| <b>Lens</b>                        |  |
| Focal Length                       | 2.8 mm   |
| Iris Type                          | Fixed  |
| Iris                               | F1.6   |
| Field of View (H)                  | 93.2 °   |
| Field of View (V)                  | 51.5°  |
| Field of View (D)                  | 108°   |
| Lens Type                          | Fixed  |
| <b>DORI</b>                        |  |
| DORI Distance (Lens)               | 2.8 mm   |
| DORI Distance (Detect)             | 63.0 m (206.7 ft.)   |
| DORI Distance (Observe)            | 25.2 m (82.7 ft.)  |
| DORI Distance (Recognize)          | 12.6 m (41.3 ft.)  |
| DORI Distance (Identify)           | 6.3 m (20.7 ft.)   |
| <b>Illuminator</b>                 |  |
| Supplemental Light                 | Dual light   |
| Illumination Distance (IR)         | 30 m (98.4 ft.)  |
| Illumination Distance (Warm Light) | 15 m (49.2 ft.)  |
| Light On/Off Control               | Auto/Manual  |
| Wavelength                         | 850 nm   |
| IR On/Off Control                  | Auto/Manual  |
| <b>Video</b>                       |  |
| Video Compression                  | Ultra 265, H.265, H.264  |
| H.264 Code Profile                 | Baseline profile, Main profile, High profile   |
| Frame Rate                         | Main Stream: 4 MP (2560 × 1440), max. 25 fps; 3 MP (2304 × 1296), max. 30 fps; 1080P (1920 × 1080), max. 30 fps<br>Sub Stream: 640 × 360, max. 30 fps; 2CIF (704 × 288), max. 30 fps; CIF (352 × 288), max. 30 fps |
| Video Bit Rate                     | 128 Kbps to 6144 Kbps  |
| U-code                             | Support  |
| OSD                                | Up to 4 OSDs   |

|                         |   |
|-------------------------|---|
| Privacy Mask            | Up to 4 areas   |
| ROI                     | Support   |
| Video Stream            | Dual streams  |
| <b>Image</b>            |   |
| Smart Illumination      | Support   |
| White Balance           | Auto, Outdoor, Fine tune, Sodium lamp, Locked, Auto2, Area white balance  |
| Digital Noise Reduction | 2D/3D DNR   |
| Smart IR                | Support   |
| Flip                    | Normal, Flip vertical, Flip horizontal, 180°  |
| Dewarping               | N/A   |
| HLC                     | Support   |
| BLC                     | Support   |
| Defog                   | Digital defog   |
| Image Stabilization     | N/A   |
| <b>Events</b>           |   |
| Basic Detection         | Motion detection, Audio detection, Human body detection 2.0   |
| General Function        | Watermark, IP address filtering, Access policy, ARP protection, RTSP authentication, User authentication, HTTP authentication   |
| <b>Audio</b>            |   |
| Audio Compression       | G.711U, G.711A  |
| Audio Bitrate           | 64 Kbps   |
| Two-way Audio           | N/A   |
| Suppression             | Support   |
| Sampling Rate           | 8 kHz   |
| <b>Storage</b>          |   |
| Edge Storage            | N/A   |
| <b>Network</b>          |   |
| Protocols               | IPv4, IGMP, ICMP, ARP, TCP, UDP, DHCP, RTP, RTSP, DNS, DDNS, NTP, UPnP, HTTP, QoS, RTCP, RTMP, HTTPS  |
| Compatible Integration  | ONVIF (Profile S, Profile T) , SDK, API   |
| User/Host               | Up to 32 users. 3 user levels: administrator, common user and operator  |
| Security                | Password Protection, Strong Password, Export Operation Logs, Basic and Digest Authentication for RTSP, Digest Authentication for HTTP, WSSE and Digest Authentication for ONVIF |
| Client                  | EZStation, APP  |
| Web Browser             | Plug-in required live view: IE 10+, Chrome 45+, Firefox 52+, Edge 79+, Plug-in free live view: Chrome 57+, Firefox 58+, Edge 16+  |
| <b>Interface</b>        |   |
| Audio I/O               | N/A   |
| Alarm I/O               | N/A   |
| Serial Port             | N/A   |
| Built-in Mic            | Support   |
| Built-in Speaker        | N/A   |
| WIFI                    | N/A   |

|                      |  |
|----------------------|--|
| Network              | 1 × RJ45 10 M/100 M Base-TX Ethernet   |
| Video Output         | N/A  |
| <b>Certification</b> |  |
| EMC                  | CE-EMC (EN 55032, EN 61000-3-3, EN IEC 61000-3-2, EN 50130-4)<br>FCC (FCC 47 CFR part15 B) |
| Safety               | CE LVD (EN 62368-1)  |
| Environment          | CE-RoHS (2011/65/EU;(EU)2015/863); WEEE (2012/19/EU);                                      |
| Protection           | IP67 (IEC 60529)   |
| <b>General</b>       |  |
| Power                | PoE (IEEE 802.3af)   |
| Power Consumption    | Max. 3.1 W   |
| Power Interface      | N/A  |
| Dimensions           | Ø117.8 mm × 100.1 mm (Ø4.6" × 3.9") (Ø × H)  |
| Weight               | 0.23 kg (0.51 lb.)   |
| Material             | Graphene + Plastic   |
| Working Environment  | -30 °C to 60 °C (-22 °F to 140 °F), Humidity: ≤ 95% RH (non-condensing)                    |
| Storage Environment  | -30 °C to 60 °C (-22 °F to 140 °F), Humidity: ≤ 95% RH (non-condensing)                    |
| Surge Protection     | 4 KV   |
| Reset Button         | N/A  |
| Web Client Language  | 4 Languages: English, Russian, Spanish, Vietnamese   |

## Dimensions



# Accessories

**TR-JB03-I-IN**

Junction Box for Plastic Turret Camera(Support wiring from behind)



**TR-A01-IN**

NPT 3/4" Waterproof Cable Gland



**TR-UP06-IN**

Universal Pole Mounting Bracket



**TR-SE24-IN**

Dome Pendant Mounting Pole 200mm



**TR-SE24-A-IN**

Dome Pendant Mounting Pole 500mm



**TR-CM24-IN**

Dome Pendant Mounting Bracket(Indoor)



**TR-JB07/WM03-G-IN-V2**

Wall Mounting Assembling Bracket For 32 Fix-dome&Mini Fix-dome&Plastic Turret Camera



**TR-WM03-D-IN-V2**

Wall Mounting Bracket for 32 Fix-dome&Mini Fix-dome&Plastic Turret Camera



**TR-UC08-C-V2**

Bullet&Dome Corner Mounting Bracket



**Zhejiang Uniview Technologies Co., Ltd.**



<http://www.uniview.com>



[overseasbusiness@uniview.com](mailto:overseasbusiness@uniview.com); [globalsupport@uniview.com](mailto:globalsupport@uniview.com)



No. 369, Xietong Road, Xixing Sub-district, Binjiang District, Hangzhou City, 310051, Zhejiang Province, China



©2023-2025 Zhejiang Uniview Technologies Co., Ltd. All rights reserved.

\*Product specifications and availability are subject to change without notice.

\*Despite our best efforts, technical or typographical errors may exist in this document.

Uniview cannot be held responsible for any such errors and reserves the right to change the contents of this document without prior notice.