

2MP HD Intelligent LightHunter IR Fixed Bullet Network Camera

IPC2B12SS-ADF28(40)K-I1



Key Features



- High quality imaging with 2MP, 1/2.8" CMOS sensor
- 2MP (1920*1080)@60/50/30/25(default)fps; 720P (1280*720)@30/25fps
- Ultra 265, H.265, H.264, MJPEG
- Smart intrusion prevention, include cross line, intrusion, enter area, leave area detection
- Based on target classification, smart intrusion prevention significantly reduce false alarm caused by leaves, birds and lights etc., accurately focus on human and, motor vehicle and non-motor vehicle
- Intelligent People Flow Counting and Crowd Density Monitoring
- Smart intrusion prevention with Color retrieval
- Auto Scene Match (ASM) (Only WDR)
- LightHunter technology ensures ultra-high image quality in low illumination environment
- 130dB true WDR technology enables clear imaging in strong light scene
- Support 9:16 Corridor Mode
- Alarm:1 in/1 out, Audio: 1 in/1 out, Built-in Mic
- Smart IR, up to 80m (262ft) IR distance
- Supports 512 G Micro SD card
- IP67 protection

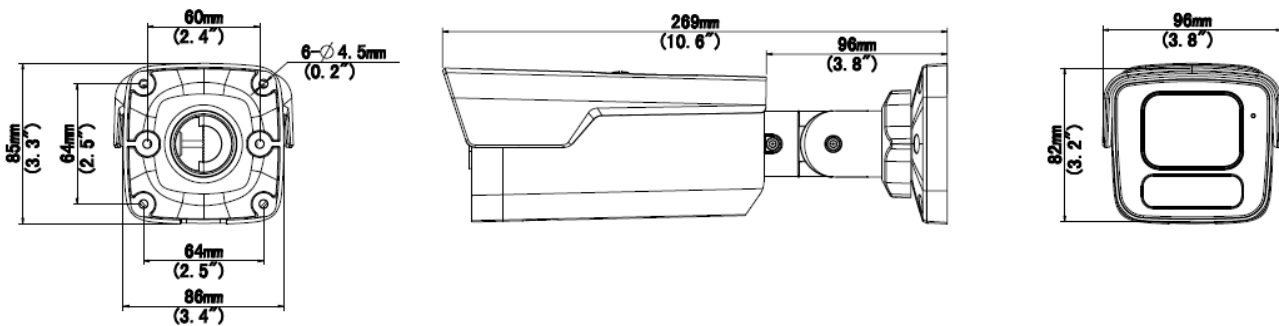
Specifications

| | IPC2B12SS-ADF28K-I1 | IPC2B12SS-ADF40K-I1 | | | |
|-------------------------|--|---------------------|-------------------|---------------|--------------|
| Camera | | | | | |
| Sensor | 1/2.8", 2.0 megapixel, progressive scan, CMOS | | | | |
| Minimum Illumination | Colour: 0.001Lux (F1.6, AGC ON) 0 lux with IR on | | | | |
| Day/Night | IR-cut filter with auto switch (ICR) | | | | |
| Shutter | Auto/Manual, 1 ~ 1/100000s | | | | |
| Adjustment angle | Pan: 0° ~ 360° | Tilt: 0° ~ 90° | Rotate: 0° ~ 360° | | |
| WDR | 130dB | | | | |
| S/N | >52dB | | | | |
| Lens | | | | | |
| Lens | 2.8mm@F1.6 | 4.0mm@F1.6 | | | |
| Iris | Fixed | | | | |
| Field of View (H) | 100.15° | 86.88° | | | |
| Field of View (V) | 54.5° | 44.39° | | | |
| Field of View (D) | 104.92° | 91.76° | | | |
| DORI | | | | | |
| DORI Distance | Lens (mm) | Detect (m) | Observe (m) | Recognize (m) | Identify (m) |
| | 2.8 | 43.4 | 17.4 | 8.7 | 4.3 |
| | 4.0 | 62.1 | 24.8 | 12.4 | 6.2 |
| Illuminator | | | | | |
| IR Range | Up to 80m (262 ft) IR range | | | | |
| Wavelength | 850nm | | | | |
| IR On/Off Control | Auto/Manual | | | | |
| Video | | | | | |
| Video Compression | Ultra 265, H.265, H.264, MJPEG | | | | |
| H.264 code profile | Baseline profile, Main profile, High profile | | | | |
| Frame Rate | Main Stream: 2MP (1920*1080), Max 60fps; 720P (1280*720), Max 30fps; Sub Stream: 720P (1280*720), Max 30fps; D1 (720*576), Max 30fps; 640*360, Max 30fps; 2CIF(704*288), Max 30fps; CIF(352*288), Max 30fps Third Stream: D1 (720*576), Max 30fps; 640*360,Max 30fps; 2CIF(704*288), Max 30fps;CIF(352*288), Max 30fps; | | | | |
| Video Bit Rate | 128 Kbps~16 Mbps | | | | |
| U-code | Support | | | | |
| OSD | Up to 8 OSDs | | | | |
| Privacy Mask | Up to 4 areas | | | | |
| ROI | Up to 8 areas | | | | |
| Video Stream | Triple streams | | | | |
| Image | | | | | |
| Auto Scene Match (ASM) | Support (Only WDR) | | | | |
| White Balance | Auto/Outdoor/Fine Tune/Sodium Lamp/Locked/Auto2 | | | | |
| Digital Noise Reduction | 2D/3D DNR | | | | |
| Smart IR | Support | | | | |
| Flip | Normal/Vertical/Horizontal/180°/90°Clockwise/90°Anti-clockwise | | | | |

| | |
|----------------------------|--|
| Dewarping | N/A |
| HLC | Support |
| BLC | Support |
| Defog | Digital Defog |
| Intelligent | |
| Smart intrusion prevention | Support false alarm filtering: Cross Line detection, Intrusion detection, Enter Area detection, Leave Area detection |
| Statistical Analysis | People counting, support people flow counting and crowd density monitoring |
| Attribute Collection | SIP with color retrieval |
| Events | |
| Basic Detection | Motion detection, Ultra motion detection ,Tampering alarm, Audio detection |
| General Function | Watermark, IP address filtering, alarm input, alarm output, access policy, ARP protection, RTSP authentication, user authentication |
| Audio | |
| Audio Compression | G.711U, G.711A |
| Audio Bitrate | 64 Kbps |
| Two-way Audio | Support |
| Suppression | Support |
| Sampling Rate | 8KHZ |
| Storage | |
| Edge Storage | Micro SD, up to 512GB |
| Network Storage | ANR, NAS(NFS) |
| Network | |
| Protocols | IPv4, IPv6, IGMP, ICMP, ARP, TCP, UDP, DHCP, PPPoE, RTP, RTSP, RTCP, DNS, DDNS, NTP, FTP, UPnP, HTTP, HTTPS, SMTP, 802.1x, SNMP, QoS, RTMP,SSL/TLS, SSH |
| Compatible Integration | ONVIF (Profile S, Profile G, Profile T), API,SDK |
| User/Host | Up to 32 users. 3 user levels: administrator, common user and operator |
| Security | Password protection, Strong password, HTTPS encryption, Export operation logs, Basic and digest authentication for RTSP, Digest authentication for HTTP, TLS 1.2, WSSE and digest authentication for ONVIF |
| Client | EZStation EZView EZLive |
| Web Browser | Plug-in required live view: IE 10 and above, Chrome 45 and above, Firefox 52 and above, Edge 79 and above |
| | Plug-in free live view: Chrome 57.0 and above, Firefox 58.0 and above, Edge 16 and above |
| Interface | |
| Audio I/O | 1 Input: impedance 35kΩ; amplitude 2V [p-p] |
| | 1 Output: impedance 600Ω; amplitude 2V [p-p] |
| Alarm I/O | 1/1 |
| RS485 | N/A |
| Built-in Mic | Support |
| Built-in Speaker | N/A |
| WIFI | N/A |
| Network | 1 * RJ45 10M/100M Base-TX Ethernet |
| Video Output | N/A |
| Certifications | |
| EMC | CE-EMC (EN 55032,EN 61000-3-3,EN IEC 61000-3-2,EN 50130) FCC (FCC 47 CFR part15 B) |

| | |
|------------------------|---|
| Safety | CE-LVD (EN 62368-1) CB (IEC 62368-1) UL/CUL (UL 62368-1, CAN/CSA C22.2 No. 62368-1) |
| Environment | CE-RoHS (2011/65/EU;(EU)2015/863); WEEE (2012/19/EU) |
| Protection | IP67 (IEC 60529) |
| General | |
| Power | DC 12V±25%, PoE (IEEE 802.3af) |
| | Power consumption: Max 10W |
| Power Interface | Ø 5.5mm coaxial power plug |
| Dimensions (L × W × H) | 269 × 96 × 82mm (10.6" × 3.8" × 3.2") |
| Weight | 0.84kg (1.85lb) |
| Material | Metal+Plastic |
| Working Environment | -30°C ~ 60°C (-22°F ~ 140°F), Humidity: ≤95% RH (non-condensing) |
| Storage Environment | -30°C ~ 60°C (-22°F ~ 140°F), Humidity: ≤95% RH (non-condensing) |
| Surge Protection | 4KV |
| Reset Button | Support |
| Web Client Language | 20 Languages Traditional Chinese, English, Simplified Chinese, Polish, German, Russian, French, Korean, Dutch, Czech, Portuguese (Europe), Portuguese (Brazil), Japanese, Thai, Turkish, Spanish (Latin America), Spanish (Europe), Hungarian, Italian, Vietnamese |

Dimensions



Accessories

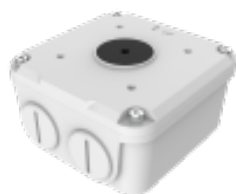
TR-JB07-D-IN

Junction Box



TR-JB06-A-IN

Junction Box



TR-UP06-B-IN

Pole Mount



TR-UP06-C-IN

Pole Mount



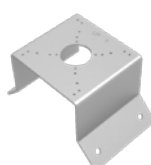
TR-A01-IN

Waterproof Joint

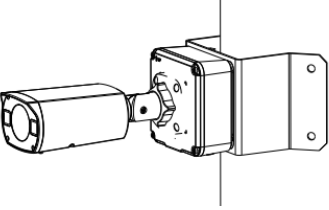


TR-UC08-C

Pole Mount



| Junction Mount | Pole Mount |
|--|--------------|
| TR-JB07-D-IN(TR-JB06-A-IN)+ TR-UP06-C-IN | TR-UP06-B-IN |
| | |

| | |
|---|--|
| Pole Mount | |
| TR-JB07-D-IN(TR-JB06-A-IN)+ TR-UC08-C | |
|  | |

Zhejiang Uniview Technologies Co., Ltd.

Building No. 369, Xietong Road, Xixing Sub-district, Binjiang District, Hangzhou City, Zhejiang Province, China, 310051

Email: overseasbusiness@uniview.com; globalsupport@uniview.com

<http://www.uniview.com>

©2023 Zhejiang Uniview Technologies Co., Ltd. All rights reserved.

*Product specifications and availability are subject to change without notice.