

Plastic Wall Mount for Fixed Dome Cameras

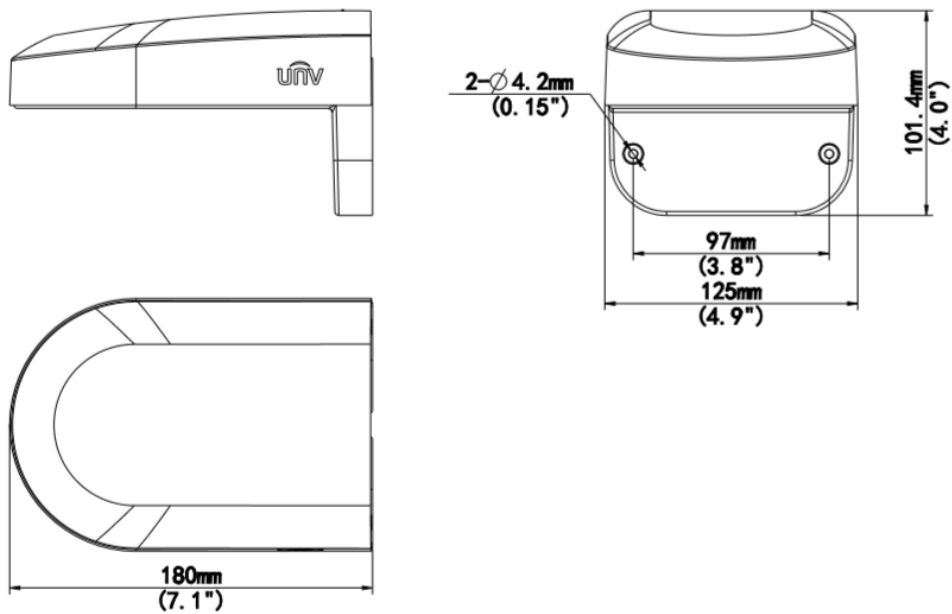
TR-WM07P-B



Overview

This product is used to mount fixed dome cameras on walls.

Dimensions



Features

- Made of plastic, light and portable, easy to install.
- Reasonable structure design, stable and firm.
- Highly compatible installation.

Specifications

Parameter	Description
Application scenarios	Indoor
Dimensions	180mm×125mm×101.4mm
Material	PP
Weight	100g

Ordering Information

Item	Quantity	Remarks
TR-WM07P-B	10pcs/case	Plastic Wall Mount for Fixed Dome Cameras

Zhejiang Uniview Technologies Co., Ltd.

Building No.10, Wanlun Science Park, Jiangling Road 88, Binjiang District, Hangzhou, Zhejiang, China

Email: overseasbusiness@uniview.com; globalsupport@uniview.com

<http://www.uniview.com>

©2023 Zhejiang Uniview Technologies Co., Ltd. All rights reserved.

* Product specifications and availability are subject to change without notice.