

4MP 55x Lighthunter Intelligent Network Positioning System

IPC7642ER-X55U-VC



Key Features



Optics

- 55X Optical Zoom(6~330mm) with wider and farther
- Starlight illumination
- Support Optical defog, Self-adaptive defog
- Day/night functionality
- Smart IR , up to 400 m (1312 ft) IR distance
- Gyroscope stabilization for stable picture
- Up to 120 dB Optical WDR(Wide Dynamic Range)
- Optical glass window with higher light transmittance
- IR anti-reflection window to increase the infrared transmittance
- 2D/3D DNR (Digital Noise Reduction)

Compression

- Ultra 265, H.265, H.264, MJPEG
- Support 2688*1520@30fps, which has the smoother motion image
- Five streams
- ROI (Region of Interest)

Network

- ONVIF Conformance

Structure

- Intelligent temperature control technology
- Rain-sensing auto wiper
- Embedded gradienter to ensure the horizontal position while installation
- Wide temperature range: -40°C to 70°C (-40°F to 158°F)
- Power supply: DC 48V±25%,DC 24V±15%(DC20V~DC60V)/ DC-48V±25%,DC-24V±15%(DC-20V~DC-60V)/ AC 24V±25%
- Support 1/1 audio in/out, 7/2 alarm in/out ,1 Serial port RS485,1 BNC
- Support up to 256G Micro SD card
- Ingress Protection: IP66

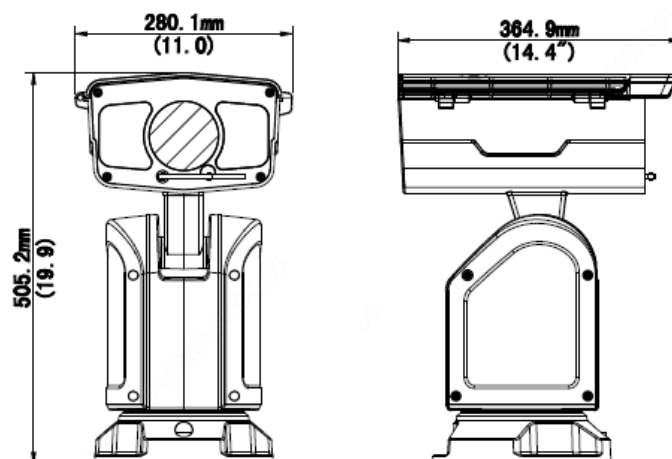
Specifications

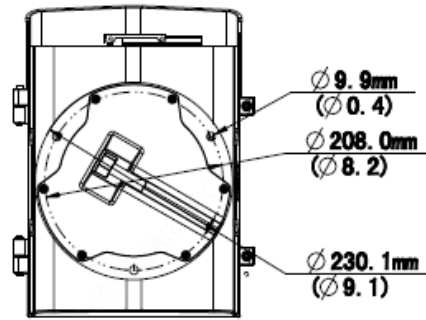
IPC7642ER-X55U-VC					
Camera					
Sensor	1/1.8" progressive scan, 4.0megapixel, CMOS				
Lens	6~330mm, AF automatic focusing and motorized zoom lens				
Iris	F1.6 ~ F4.8				
Digital Zoom	16				
Optical Zoom	55				
DORI Distance	Lens	Detect(m)	Observe(m)	Recognize(m)	Identify(m)
	6mm	146.3(479.8ft)	58.5(191.9ft)	29.3(96.0ft)	14.6(48.0ft)
	330mm	4545.0(14911.4ft)	1818.0(5964.6ft)	909.0(2982.3ft)	454.5(1491.1ft)
Angle of View (H)	61.5 ~ 1.9°				
Angle of View (V)	37.0°~1.1°				
Angle of View (O)	72.6°~2.2°				
Shutter	Auto/Manual, shutter time: 1s ~ 1/100000 s				
Minimum Illumination	0.003lux (F1.6, AGC ON, Colour), 0 lux with IR				
WDR	120dB				
Day/Night	IR-cut filter with auto switch(ICR)				

S/N	>56 dB
IR Range	400m(1312ft)
Wavelength	850nm
IR On/Off Control	Auto/Manual
Defog	Optical Defog
Video	
Video Compression	Ultra 265, H.265, H.264, MJPEG
Frame Rate	Main Stream:4MP (2688×1520)@30fps; 4MP (2560×1440)@30fps; 1080P@30fps; Sub Stream:2MP(1920×1080)@30fps; Third Stream:D1(720×576)@30fps Fourth Stream:D1(720×576)@30fps Fifth Stream:D1(720×576)@30fps
Video Bit Rate	128 Kbps~16 Mbps
ROI	Up to 8 areas
Video stream	Five streams
OSD	Up to 8 OSDs
Privacy Mask	Up to 24 areas
Image	
White Balance	Auto/Outdoor/Fine Tune/Sodium Lamp/Locked/Auto2
Digital noise reduction	2D/3D DNR
Smart IR	Support
Flip	Normal/Flip Vertical/Flip Horizontal/180°/90°Clockwise/90°Anti-clockwise
HLC	Supported
BLC	Supported
Gyroscope	Supported
Smart	
General Function	Watermark, IP Address Filtering, Tampering Alarm, Alarm input, Alarm output, Access Policy, ARP Protection, RTSP Authentication, User Authentication
Audio	
Audio Compression	G.711A, G.711U
Two way audio	Supported
Sampling Rate	8KHZ
Storage	
Edge Storage	Micro SD, up to 256 GB
Network Storage	ANR,NAS(NFS)
Network	
Protocols	IPv4, IGMP, ICMP, ARP, TCP, UDP, DHCP, PPPoE, RTP, RTSP, RTCP, DNS, DDNS, NTP, FTP, UPnP, HTTP, HTTPS, SMTP, 802.1x, SNMP, QoS, RTMP
Compatible Integration	ONVIF(Profile S, Profile G, Profile T),API
Client	EZStation Ezview EZLive
Web Browser	Plug-in required live view: IE9+, Chrome 41 and below, Firefox 52 and below
Pan & Tilt	
Pan Range	360°
Pan Speed	0.1°/s ~140°/s

	Preset speed: 10°/s
Tilt Range	-90° ~ +45°
Tilt Speed	0.1° ~50°/s
	Preset speed:50°/s
Number of Presets	1024
Patrol	Preset patrol, route 4patrol, recorded patrol
Power-off memory	Supported
Keep watch	Supported
Interface	
Audio I/O	1 Input: impedance 35 kΩ; amplitude 2 V [p-p]
	1 Output: impedance 600 Ω; amplitude 2 V [p-p]
Alarm I/O	7/ 2
Serial Port	1 RS485
Network	10M/100M/1000M Base-TX Ethernet
Certification	
Certifications	CE: EN 60950-1 UL: UL60950-1 FCC: FCC Part 15
General	
Power	DC 48V±25%/DC 24V±15% (DC20V~DC60V) DC-48V±25%/DC-24V±15%(DC-20V~DC-60V), AC 24V±25%
	Power consumption: Max 110W
Dimensions (∅ x H)	280.1mmx364.9mm x505.2mm (∅11.0" x 14.4" x19.9")
Net weight	13.95kg(30.8lb)
Material	Metal
Working Environment	-40°C ~ +70°C (-40°F ~ 158°F), Humidity : ≤95% RH(non-condensing)
Surge protection	6KV
Ingress Protection	IP66

Dimensions





Accessories

TR-WM08-B



<p>wall mount</p>
<p>TR-WM08-B</p>

Zhejiang Uniview Technologies Co., Ltd.

South Tower, Building 10, Wanlun Science Park, 88 Jiangling Road, Hangzhou, P.R.China 310051

Email: overseasbusiness@uniview.com; globalsupport@uniview.com

<http://www.uniview.com>

©2020 Zhejiang Uniview Technologies Co., Ltd. All rights reserved.

*Product specifications and availability are subject to change without notice.