

Network Video Recorder

NVR302-08B-P8-IQ



Features

- Support Ultra 265/H.265/H.264 video formats
- 8 channel input
- Plug & Play with 8 independent PoE network interfaces
- Support mainstream cameras of ONVIF conformance(Profile S, Profile G, Profile T) and RTSP protocols
- Support 1 ch HDMI, 1 ch VGA. HDMI up to 4K (3840x2160) resolution
- VGA and HDMI simultaneous output
- Up to 12 Megapixels resolution recording
- ANR technology to enhance the storage reliability when the network is disconnected
- Support cloud upgrade

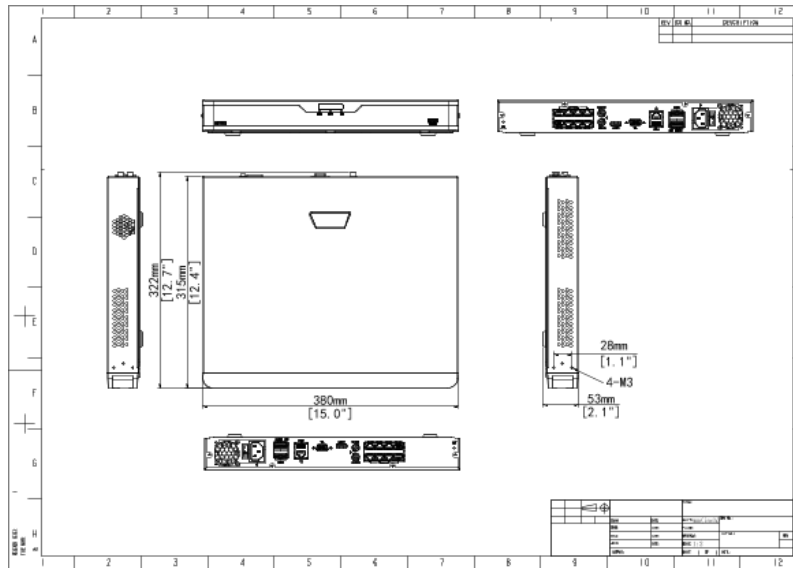
Specifications

Decoding	Description
Decoding Format	Ultra 265,H.265,H.264
Decoding Capability	Smart Off: 2 x 12MP@30, 2 x 4K@30, 4 x 4MP@30, 8 x 1080P@30 Smart On: 2 x 4K@30, 4 x 4MP@30, 8 x 1080P@30
Audio Compression	G.711A, G.711U
Network	Description
Incoming Bandwidth	160Mbps
Outgoing Bandwidth	128Mbps

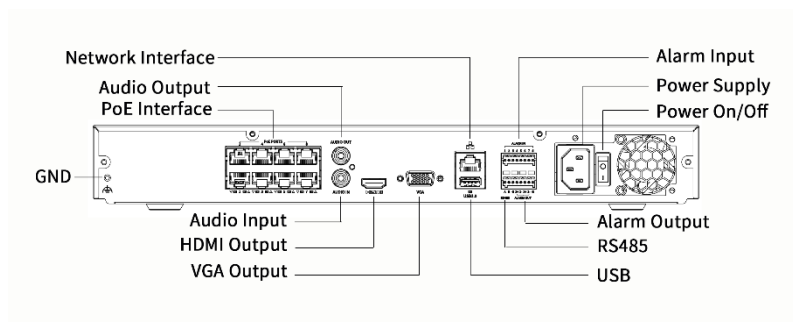
Remote Users	128
Protocols	TCP/IP; P2P; NTP; DHCP; PPPoE; HTTP; HTTPS; DNS; DDNS; SNMP; SMTP; RTSP; IPv6; IPv4
Browser(Plugin)	Windows:IE(IE10/11),Firefox (version 52.0 and above),Chrome(version 45 and above),Edge(version 79 and above)
Video/Audio Input	Description
IP Video Input	8-ch
RCA Audio Input	1-ch
Video/Audio Output	Description
HDMI Output	HDMI:4K(3840x2160)/30Hz, 1920x1080p/60Hz, 1920x1080p/50Hz, 1600x1200/60Hz, 1280x1024/60Hz, 1280x720/60Hz, 1024x768/60Hz
VGA Output	VGA:1920x1080p/60Hz, 1920x1080p/50Hz, 1600x1200/60Hz, 1280x1024/60Hz, 1280x720/60Hz, 1024x768/60Hz
RCA Audio Output	1-ch
Liveview Display	1/4/6/8/9
Corridor Mode Screen	3/4/5/7/9
Two-way Audio	Description
Two-way Audio	1-ch,RCA(Using the audio input and output)
Snapshot	Description
FTP/Schedule/Event Snapshot	4-ch snapshot,up to D1 resolution
Recording	Description
Recording Resolution	12MP/8MP/6MP/5MP/4MP/3MP/1080P/960P/720P/D1/2CIF/CIF
Synchronous Playback in Local	8-ch
Smart	Description
VCA Detection by IPC	Face Detection; face detection; Vehicle Detection; SIP (Intrusion Detection, Cross Line Detection, Enter Area, Leave Area); Ultra Motion Detection (UMD); People Counting (People Flow Counting, Crowd Density Monitoring); Traffic Monitoring
Smart by NVR	face detection; Smart Intrusion Prevention (SIP); Ultra Motion Detection(UMD)
VCA Search	Motor Vehicle Search; Non-Motor Vehicle Search; Human Body Search; General Search; People Counting Report; Heat Map
Smart by IPC	All channels (up to 8 images/s in total)Face Detection, face detection, Vehicle Detection, SIP, UMD, Traffic Monitoring
Vehicle Picture Library	Up to 5 vehicle picture libraries,with up to 25,000 vehicle pictures in total
SIP by NVR	2-ch
UMD by NVR	4-ch
Alarm	Description
General Alarm	Defocus Detection; Scene Change Detection; Object Left Behind; Object Removed; Auto Tracking; Motion Detection; Tampering; Human Body Detection; Video Loss; Alarm Input; Audio Detection
Alert Alarm	IP Conflict; Network Disconnected; Disk Offline; Disk Abnormal; Illegal Access; Hard Disk Space Low; Hard Disk Full; Recording/Snapshot Abnormal
GUI Language	Description
GUI Language	38 languages: Simplified Chinese, Traditional Chinese, English, Vietnamese, Thai, Turkish, Spanish (Latin America), Portuguese (Brazil), Spanish, Portuguese, French, German, Italian, Dutch, Polish, Czech, Hungarian, Slovak, Russian, Hebrew, Arabic,

	Ukrainian, Estonian, Bulgarian, Greek, Romanian, Danish, Swedish, Norwegian, Finnish, Croatian, Slovenia, Serbia, Korean, Japanese, Latvian, Lithuanian, Persian
Hard Disk	Description
SATA	2 SATA Interfaces
Capacity	Up to 10TB for each HDD (The maximum HDD capacity varies with environment temperature)
External Interface	Description
Network Interface	1 RJ45 10M/100M/1000M self-adaptive Ethernet Interface
USB	Front panel: 1 x USB2.0; Rear panel: 1 x USB3.0
RS485	1
RS232	N/A
Alarm In	8-ch
Alarm Out	2-ch
Power Supply	AC 100~240V
PoE	Description
PoE Interface	8 RJ45 10M/100M self-adaptive Ethernet Interface
Max Power	Max 30W for single port, Max 130W in total
Supported Standard	IEEE 802.3at, IEEE 802.3af
Working Environment	Description
Working Temperature	-10°C ~ + 55°C (+14°F ~ +131°F)
Working Humidity	≤ 90% RH (non-condensing)
Power Consumption (without HD D)	≤ 12W
Dimensions	Description
Weight (without HDD)	≤ 2.7Kg (6.0lb)
Dimensions	380mm × 322mm × 53mm (15.0" × 12.7" × 2.1")
Certification	Description
Certification	CE, FCC, UL, RoHS, WEEE
CE	EN 55032, EN 61000-3-3, EN IEC 61000-3-2, EN 55035
FCC	Part15 Subpart B

Dimensions



Rear Panel



Zhejiang Uniview Technologies Co., Ltd.

No. 369, Xietong Road, Xixing Sub-district, Binjiang District, Hangzhou City, 310051, Zhejiang Province, China

Email: overseasbusiness@uniview.com; globalsupport@uniview.com

<http://www.uniview.com>

©2024 Zhejiang Uniview Technologies Co., Ltd. All rights reserved.

*Product specifications and availability are subject to change without notice.

*Despite our best efforts, technical or typographical errors may exist in this document. Uniview cannot be held responsible for any such errors and reserves the right to change the contents of this document without prior notice.