

# DX204 Quad-Core 4-HDD NAS Network Storage Server

## DX204

DX204 is an enterprise-grade, high-performance 4-HDD NAS network storage server launched by Uniview for private cloud. It is equipped with Intel quad-core processor, dual M.2 SSD interfaces, and dual GbE interfaces to provide high-speed access performance and faster transmission experience. The product offers an efficient and reliable solution to massive data storage, file sharing, data protection, and remote autonomous access, making a perfect choice for small and medium-sized enterprises and individual users.



## Features

- Supports snapshot, offers effective protection for important data against crypto ransomware.
- Supports high-level data security, AES enterprise-grade encryption, SSL security certificates, and disaster recovery protection.
- Supports log management, allows user to view file access logs.
- Supports multiple file sharing protocols including ISCSI, NFS, AFP, SMB, FTP, WEBDAV.
- Supports flexible permission management and multi-layer protection mechanism.
- Supports smart O&M, advanced device and HDD health monitoring, alert users of potential risks of data loss.
- Supports RAID technology, allows the configuration of one or more backup HDDs.
- High-speed transmission, supports 10Gigabit network interface card.

## Video Functions

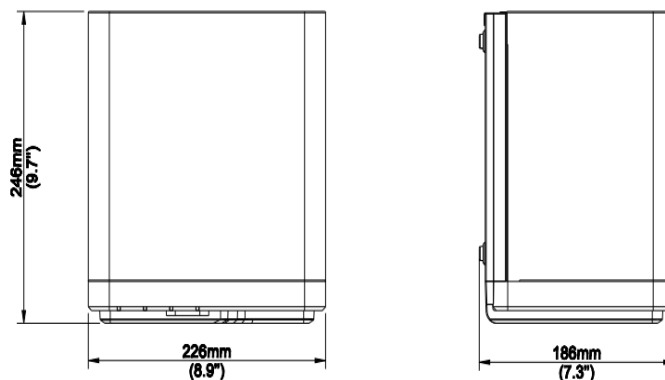
- Remote access to view live and recorded video anytime.
- Centralized video data storage.
- Supports access of multiple cameras and real-time video viewing.
- Supports centralized device management with rich camera support.
- Enhanced data security with AES encryption to protect video privacy and restrict access permissions.

## Specifications

Model	DX204
OS	Embedded Linux
CPU	Intel quad-core X86_64 processor
RAM	4GB DDR4, dual SO-DIMM slots, expandable to 32GB

Model	DX204
HDD	4 * SATA3.0 slots, compatible with 3.5-inch or 2.5-inch SATA HDD/SSD
Network interface	2*GE, 1*PCIe 3.0 for expansion to 10Gigabit network
HDMI	1, resolution up to 4096 x 2160@60Hz
USB	2*USB3.0
M.2 HDD slot	2 (NVMe), with one slot supporting SATA3.0
EMMC	8GB (standard)
Video storage performance	64*2Mbps
Access protocol	Supports Onvif cameras.
Dimensions	226mm (L) × 246mm (W) × 186mm (H)
Weight	3.6 kg (without HDD)
Power consumption	33W (with HDD fully configured)
Noise	Room temperature 25°C≤31dB(A) Within the environment's highest specified limit ≤39.4dB(A) (low power operation mode)
Operating temperature	0°C to +45°C
Storage temperature	-20°C to +70°C
Operating humidity	5% to 95% (non-condensing)
Storage humidity	5% to 95% (non-condensing)

## Dimensions



## Ordering Information

Model	Description	Remarks
DX204	Assembling component-UNV-DX204-4 HDD desktop NAS(4GB)-Overseas version	DX204 Quad-Core 4-HDD NAS Network Storage Server

### Zhejiang Uniview Technologies Co., Ltd.

No. 369, Xietong Road, Xixing Sub-district, Binjiang District, Hangzhou City, 310051, Zhejiang Province, China

Email: [overseasbusiness@uniview.com](mailto:overseasbusiness@uniview.com); [globalsupport@uniview.com](mailto:globalsupport@uniview.com)

<http://www.uniview.com>

©2023 Zhejiang Uniview Technologies Co., Ltd. All rights reserved.

\*Product specifications and availability are subject to change without notice.