

EK-S31P8T46T2-V2



Key Features

NVR301-08S3-P8

- Support Ultra 265/H.265/H.264 video formats
- 8-channel input
- Plug & Play with 8 independent PoE network interfaces
- Support mainstream cameras of ONVIF conformance(Profile S, Profile G, Profile T) and RTSP protocols
- Support 1-ch HDMI, 1-ch VGA, HDMI at up to 4K(3840x2160) resolution
- HDMI and VGA simultaneous output
- Up to 4K resolution recording
- 1 SATA HDD, up to 8TB
- Support cloud upgrade

EC-T4F28M

- Day/night functionality
- Smart IR, up to 30 m (98 ft) IR distance
- 2D/3D DNR (Digital Noise Reduction)
- Ultra 265, H.265, H.264, MJPEG
- ROI (Region of Interest)
- ONVIF Conformance
- Wide temperature range: -30°C ~ +60°C (-22°F ~ 140°F)
- Wide voltage range of ±25%
- IP67

Specifications

| Model | NVR301-08S3-P8 |
|-----------------------------|---|
| Video/Audio Input | |
| IP Video Input | 8-ch |
| Network | |
| Incoming Bandwidth | 64Mbps |
| Outgoing Bandwidth | 48Mbps |
| Remote Users | 128 |
| Protocols | TCP/IP, P2P, UPnP, NTP, DHCP, PPPoE, HTTP, HTTPS, DNS, DDNS, SNMP, SMTP |
| Video/Audio Output | |
| HDMI/VGA Output | HDMI: 4K(3840x2160)/30Hz, 1920x1080p/60Hz, 1920x1080p/50Hz, 1600x1200/60Hz, 1280x1024/60Hz, 1280x720/60Hz, 1024x768/60Hz VGA: 1920x1080p/60Hz, 1920x1080p/50Hz, 1600x1200/60Hz, 1280x1024/60Hz, 1280x720/60Hz, 1024x768/60Hz |
| Recording Resolution | 4K/5MP/4MP/3MP/1080p/960p/720p/D1/2CIF/CIF |
| Audio Output | 1-ch, RCA |
| Audio Compression | G.711A, G.711U |
| Synchronous Playback | 8-ch |
| Liveview display | 1/4/6/8/9 |
| Corridor Mode Screen | 3/4/5/7/9 |
| Snapshot | |
| FTP/Schedule/Event Snapshot | 1-ch snapshot, up to D1 resolution |
| Decoding | |
| Decoding format | Ultra 265/H.265/H.264 |
| Liveview/Playback | 4K/5MP/4MP/3MP/1080p/960p/720p/D1/2CIF/CIF |
| Capability | 1 x 4k@30, 1 x 5MP@30, 2 x 4MP@30, 4 x 3MP@25, 4 x 1080p@30, 8 x 720p@30 |

Hard Disk

| | |
|----------|---|
| SATA | 1 SATA interface |
| Capacity | Up to 8TB for each disk (The maximum HDD capacity varies with environment temperature) |

Smart

| | |
|---|---|
| VCA Detection by Camera | Intrusion Detection, Cross Line Detection, Enter Area, Leave Area, Audio Detection, Ultra Motion Detection(UMD) |
| VCA Search | Intrusion Detection, Cross Line Detection, Enter Area, Leave Area, Ultra Motion Detection(UMD) |
| Smart Intrusion Prevention (SIP), UMD by Camera | Total 4-ch |

General Alarm

| | |
|---------------|---|
| General Alarm | Motion, Tampering, Human Body Detection, Video Loss, Alarm Input |
| Alert Alarm | IP Conflict, Network Disconnected, Disk Offline , Disk Abnormal, Illegal Access, Hard Disk Space Low, Hard Disk Full, Recording/Snapshot Abnormal |

External Interface

| | |
|-------------------|--|
| Network Interface | 1 RJ-45 10M/100Mself-adaptive Ethernet Interface |
| USB Interface | Rear panel: 2 x USB2.0 |
| RS232 | NA |
| RS485 | NA |
| Alarm In | NA |
| Alarm Out | NA |

PoE

| | |
|--------------------|--|
| Interface | 8 RJ-45 10M/100Mself-adaptive Ethernet Interface |
| Max Power | Max 30W for single port Max 75W in total |
| Supported Standard | IEEE 802.3at, IEEE 802.3af |

General

| | |
|----------------------|---|
| Power Supply | 52V DC Power Consumption: ≤9 W (without HDD) |
| Working Environment | -10°C ~ + 55°C (+14°F ~ +131°F), Humidity ≤ 90% RH (non-condensing) |
| Dimensions (W×D×H) | 260mm ×240mm × 46 mm (10.2" × 9.4" ×1.8") |
| Weight (without HDD) | ≤1.1kg (2.43lb) |

Certification

| | |
|---------------|--|
| Certification | CE, FCC, UL, RoHS, WEEE |
| CE | EN 55032: 2015, EN 61000-3-3: 2013, EN IEC 61000-3-2: 2019, EN 55035: 2017 |
| FCC | Part15 Subpart B, ANSI C63.4 |

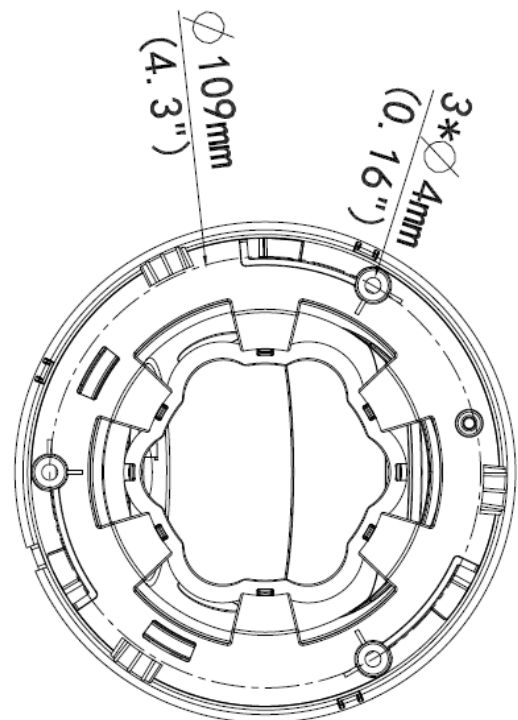
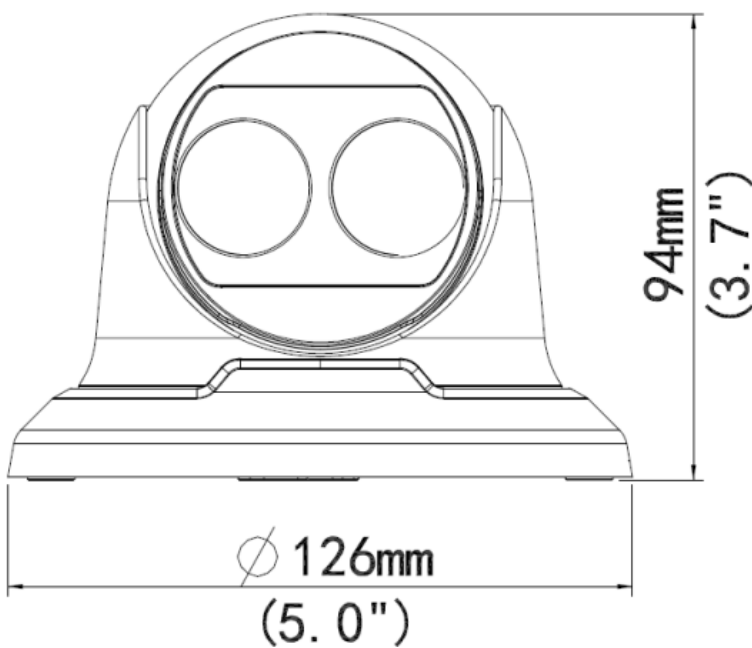
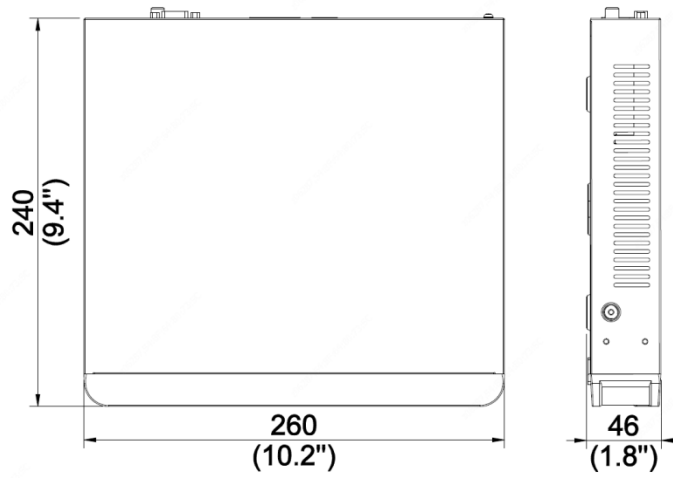
Model
EC-T4F28M
Camera

| | |
|-------------------|--|
| Sensor | 1/3", 4.0 megapixel, progressive scan, CMOS |
| Min. Illumination | Colour: 0.01Lux (F2.0, AGC ON) 0Lux with IR |
| Day/Night | IR-cut filter with auto switch (ICR) |
| Shutter | Auto/Manual, 1 ~ 1/100000s |

| | | | | | |
|-------------------------|--|------------|-------------|---------------|--------------|
| Adjustment angle | Pan: 0° ~ 360° , Tilt: 0° ~ 75° , Rotate: 0° ~ 360° | | | | |
| S/N | >56dB | | | | |
| WDR | DWDR | | | | |
| Lens | | | | | |
| Lens Type | 2.8mm @2.0, Fixed-focal | | | | |
| Lens Mount | M12 | | | | |
| Angle of View (H) | 97.0° | | | | |
| Angle of View (V) | 52.2° | | | | |
| Angle of View (O) | 107.5° | | | | |
| DORI | | | | | |
| DORI Distance | Lens (mm) | Detect (m) | Observe (m) | Recognize (m) | Identify (m) |
| | 2.8 | 63.0 | 25.2 | 12.6 | 6.3 |
| Illuminator | | | | | |
| IR Range | Up to 30m (98ft) IR range | | | | |
| Wavelength | 850nm | | | | |
| IR On/Off Control | Auto/Manual | | | | |
| Video | | | | | |
| Video Compression | Ultra 265, H.265, H.264, MJPEG | | | | |
| H.264 code profile | Baseline profile, Main profile, High profile | | | | |
| Frame Rate | Main Stream: 4MP (2560*1440), Max 25fps; 3MP (2304*1296), Max 30fps; 1080P (1920*1080), Max 30fps; 720P (1280*720), Max 30fps Sub Stream:D1 (720*576), Max 30fps; 640*360,Max 30fps; 2CIF(704*288), Max 30fps; CIF(352*288), Max 30fps; | | | | |
| Video Bit Rate | 128 Kbps~6144 kbps | | | | |
| U-code | Supported | | | | |
| OSD | Up to 4 OSDs | | | | |
| Privacy Mask | Up to 4 areas | | | | |
| ROI | Up to 8 areas | | | | |
| Motion Detection | Up to 4 areas | | | | |
| Image | | | | | |
| White Balance | Auto/Outdoor/Fine Tune/Sodium Lamp/Locked/Auto2 | | | | |
| Image Setting | Image rotation, brightness, saturation, contrast, sharpness, gain adjustable by web browser | | | | |
| Digital noise reduction | 2D/3D DNR | | | | |
| Smart IR | Support | | | | |
| Flip | Normal/Vertical/Horizontal/180° | | | | |
| Dewarping | N/A | | | | |
| HLC | Supported | | | | |
| BLC | Supported | | | | |
| Defog | Digital Defog | | | | |
| Events | | | | | |
| Behavior Detection | Cross line, intrusion(based on human body detection) | | | | |
| | Motion detection, tampering alarm | | | | |
| General Function | Watermark, IP address filtering, access policy, ARP protection, RTSP authentication, user authentication | | | | |

| Storage | |
|------------------------|--|
| Edge Storage | Micro SD, up to 128GB |
| Network Storage | ANR, NAS(NFS) |
| Network | |
| Protocols | IPv4, IGMP, ICMP, ARP, TCP, UDP, DHCP, RTP, RTSP, RTCP, RTMP, DNS, DDNS, NTP, FTP, UPnP, HTTP, HTTPS, SMTP, QoS, SSL/TLS, SNMP |
| Compatible Integration | ONVIF (Profile S, Profile G, Profile T), API , SDK |
| User/Host | Up to 32 users. 2 user levels: administrator and common user |
| Security | Password protection, Strong password, HTTPS encryption, Export operation logs, Basic and digest authentication for RTSP, Digest authentication for HTTP, TLS 1.2, WSSE and digest authentication for ONVIF |
| Client | EZStation EZView EZLive |
| Web Browser | Plug-in required live view: IE9+, Chrome 41 and below, Firefox 52 and below |
| | Plug-in free live view: Chrome 57.0+, Firefox 58.0+, Edge 16+ |
| Interface | |
| Network | 1 * RJ45 10M/100M Base-TX Ethernet |
| Certification | |
| EMC | FCC: FCC Part 15 |
| Safety | CE: EN 60950-1 UL: UL60950-1 IEC 60950-1 |
| General | |
| Power | DC 12V±25%, PoE (IEEE 802.3af) |
| | Power consumption: Max 4.0W |
| Power Interface | Ø 5.5mm coaxial power plug |
| Material | Metal |
| Working Environment | -30°C ~ 60°C (-22°F ~ 140°F), Humidity: ≤95% RH (non-condensing) |
| Storage Environment | -30°C ~ 60°C (-22°F ~ 140°F), Humidity: ≤95% RH (non-condensing) |
| Surge Protection | 4KV |
| Reset Button | N/A |
| Ingress Protection | Ingression protection: IP67 |

Dimensions



Zhejiang Uniview Technologies Co.,Ltd.

No. 369, Xietong Road, Xixing Sub-district, Binjiang District, Hangzhou City, Zhejiang Province, China

Email: overseasbusiness@uniview.com; globalsupport@uniview.com

<http://www.uniview.com>

©2020-2022 Zhejiang Uniview Technologies Co., Ltd. All rights reserved.

Product specifications and availability are subject to change without notice.