

5MP HD IR Fixed Eyeball Network Camera

IPC3615SR3-ADF28(40)KM-G



Key Features



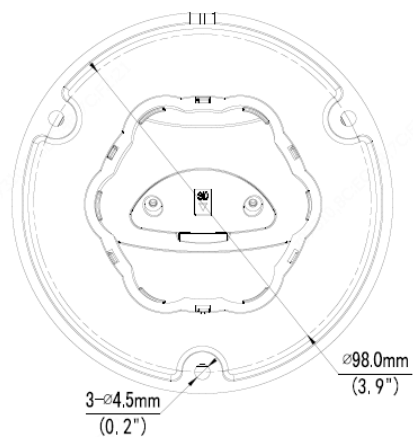
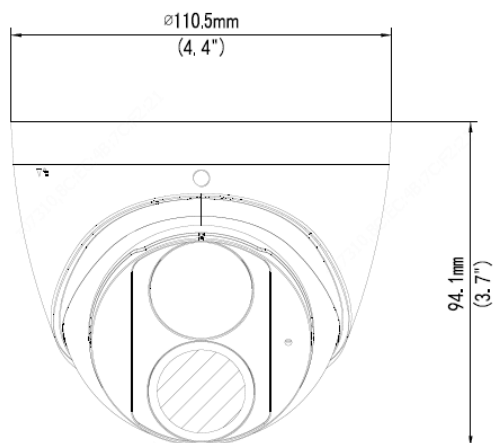
- High quality image with 5MP, 1/2.7"CMOS sensor
- 5MP (2880*1620)@ 30/25fps; 4MP (2560*1440)@ 30/25fps; 3MP (2304*1296) @30/25fps; 2MP (1920*1080) @30/25fps;
- Ultra 265, H.265, H.264, MJPEG
- LightHunter technology ensures high image quality in low illumination environment
- 120dB true WDR technology enables clear image in strong light scene
- Support 9:16 Corridor Mode
- Built-in Mic
- Smart IR, up to 30m (98ft) IR distance
- Supports 256 G Micro SD card
- IP67 protection
- Support PoE power supply
- 3-Axis

Specifications

| | IPC3615SR3-ADF28KM-G | IPC3615SR3-ADF40KM-G | | | |
|-------------------------|---|----------------------|----------------|---------------|-------------------|
| Camera | | | | | |
| Sensor | 1/2.7", 5.0 megapixel, progressive scan, CMOS | | | | |
| Lens | 2.8mm@F1.6 | | 4.0mm@F1.6 | | |
| DORI Distance | Lens (mm) | Detect (m) | Observe (m) | Recognize (m) | Identify (m) |
| | 2.8 | 63.0 | 25.2 | 12.6 | 6.3 |
| | 4.0 | 90.0 | 36.0 | 18.0 | 9.0 |
| Angle Of View (H) | 112.9° | | 91.2° | | |
| Angle Of View (V) | 59.1° | | 47.9° | | |
| Angle Of View (O) | 121.2° | | 95.9° | | |
| Adjustment angle | Pan: 0° ~ 360° | | Tilt: 0° ~ 80° | | Rotate: 0° ~ 360° |
| Shutter | Auto/Manual, 1 ~ 1/100000s | | | | |
| Minimum Illumination | Support LightHunter: Colour: 0.003Lux (F1.6, AGC ON) 0Lux with IR | | | | |
| Day/Night | IR-cut filter with auto switch (ICR) | | | | |
| Digital noise reduction | 2D/3D DNR | | | | |
| S/N | >56dB | | | | |
| IR Range | Up to 30m (98ft) IR range | | | | |
| Wavelength | 850nm | | | | |
| IR On/Off Control | Auto/Manual | | | | |
| Defog | Digital Defog | | | | |
| WDR | 120dB | | | | |
| Video | | | | | |
| Video Compression | Ultra 265, H.265, H.264, MJPEG | | | | |
| H.264 Code Profile | Baseline profile, Main profile, High profile | | | | |
| Frame Rate | Main Stream: 5MP (2880*1620), Max 30fps;4MP (2560*1440), Max 30fps; 3MP (2304*1296), Max 30fps;1080P (1920*1080), Max 30fps; Sub Stream: 720P (1280*720), Max 30fps; D1 (720*576), Max 30fps; 640*360,Max 30fps; 2CIF(704*288), Max30fps; CIF(352*288), Max 30fps; | | | | |
| Video Bit Rate | 128 Kbps~16 Mbps | | | | |
| 9:16 Corridor Mode | Supported | | | | |
| OSD | Up to 4 OSDs | | | | |
| Privacy Mask | Up to 4 areas | | | | |
| ROI | Up to 8 areas | | | | |
| Motion Detection | Up to 4 areas | | | | |
| Image | | | | | |
| White Balance | Auto/Outdoor/Fine Tune/Sodium Lamp/Locked/Auto2 | | | | |
| Digital noise reduction | 2D/3D DNR | | | | |
| Smart IR | Supported | | | | |
| Flip | Normal/Vertical/Horizontal/180°/90°Clockwise/90°Anti-clockwise | | | | |
| Dewarping | N/A | | | | |

| | |
|------------------------|---|
| HLC | Supported |
| BLC | Supported |
| Smart | |
| Behavior Detection | (Cross line, intrusion)based on human body detection, motion detection, tampering alarm, audio detection |
| General Function | Watermark, IP address filtering, access policy, ARP protection, RTSP authentication, user authentication, HTTP authentication |
| Network | |
| Protocols | IPv4, IGMP, ICMP, ARP, TCP, UDP, DHCP, RTP, RTSP, RTCP, RTMP, DNS, DDNS, NTP, FTP, UPnP, HTTP, HTTPS, SMTP, SSL, 802.1x, SNMP |
| Compatible Integration | ONVIF (Profile S, Profile G, Profile T), API |
| Client | EZStation EZView EZLive |
| Web Browser | Plug-in required live view: IE9+, Chrome 41 and below, Firefox 52 and below |
| | Plug-in free live view: Chrome 57.0+, Firefox 58.0+, Edge 16+ |
| Audio | |
| Audio Compression | G.711 |
| Suppression | Supported |
| Sampling Rate | 8KHZ |
| Storage | |
| Edge Storage | Micro SD, up to 256 GB |
| Network Storage | ANR,NAS(NFS) |
| Interface | |
| Network | 10/100M Base-TX Ethernet |
| Built-in Mic | Supported |
| Certifications | |
| Certifications | UL: UL60950-1 FCC: FCC Part 15 |
| General | |
| Power | DC 12V±25%, PoE (IEEE 802.3af) |
| | Power consumption: Max 6.0W |
| Dimensions (Ø x H) | Φ118 x 95mm (Φ4.6" x 3.8") |
| Net Weight | 0.35kg (0.77lb) |
| Material | Metal |
| Working Environment | -30°C ~ 60°C (-22°F ~ 140°F), Humidity: ≤95% RH (non-condensing) |
| Storage Environment | -30°C ~ 60°C (-22°F ~ 140°F), Humidity: ≤95% RH (non-condensing) |
| Surge Protection | 4KV |
| Ingress Protection | IP67 |
| Reset Button | N/A |

Dimensions



Accessories

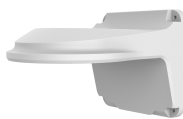
TR-JB03-G-IN



TR-JB07/WM03-G-IN



TR-WM03-D-IN



TR-UM06-E-IN



TR-UP06-IN



TR-A01-IN



TR-SE24-IN

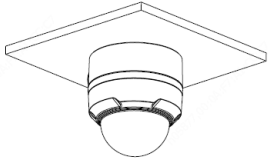
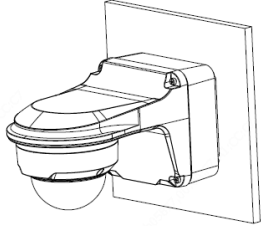
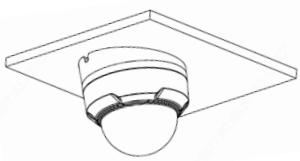
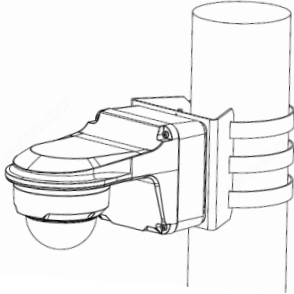
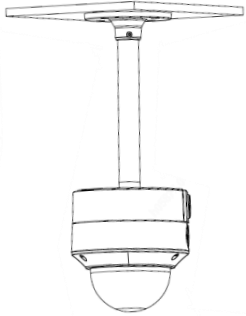


TR-SE24-A-IN



TR-CM24-IN



| Junction Mount | Pole Mount |
|---|--|
| TR-JB03-G-IN  | TR-JB07/WM03-G-IN  |
| TR-UM06-E-IN  | TR-JB07/WM03-G-IN+TR-UP06-IN  |
| TR-CM24-IN+TR-JB03-G-IN  | |

Zhejiang Uniview Technologies Co., Ltd.

Building No.10, Wanlun Science Park, Jiangling Road 88, Binjiang District, Hangzhou, Zhejiang, China (310051)

 Email: overseasbusiness@uniview.com; globalsupport@uniview.com <http://www.uniview.com>

©2021 Zhejiang Uniview Technologies Co., Ltd. All rights reserved.

*Product specifications and availability are subject to change without notice.